

Under the web-address <https://www.process-informatik.de> are product specific documentations or software-driver/-tools available to download.
If you have questions or suggestions about the product, please don't hesitate to contact us.

Process-Informatik Entwicklungsgesellschaft mbH
Im Gewerbegebiet 1
DE-73116 Wäschenbeuren
+49 (0) 7172-92666-0
info@process-informatik.de
<https://www.process-informatik.de>

Menutree Website:

- + Products / docu / downloads
- + Accessories
 - + Various PLC-/Panel-connection-cable
 - + PLC-connection cable

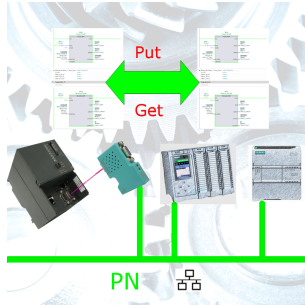


QR-Code Website:



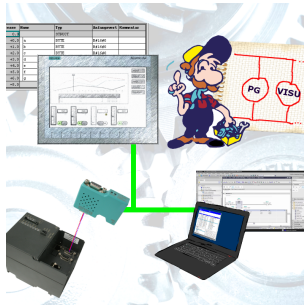
Please make sure to update your drivers before using our products.

S7-1200/1500 to S7-300/400 (MPI/DP)



Coupling S7-controller with PN-port at S7-controller with MPI/Profibus via network

Connect MPI / Profibus with current network panels



Visualize with the latest S7 network panels directly on your MPI Profibus.

No PLC change necessary.

Connect several nodes at the same time via a network module.

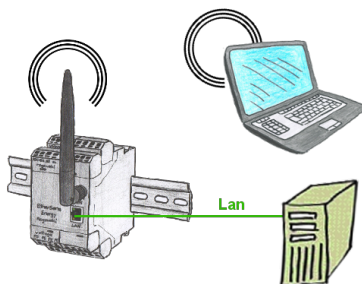
Simultaneous access from different systems possible.

Sending ASCII-data to a PC



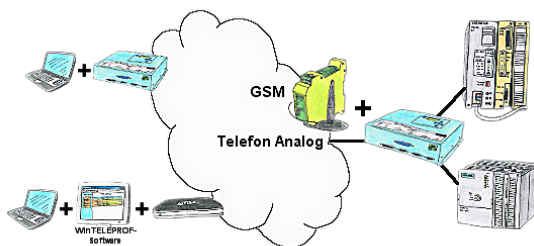
Your car park or control sends the configuration / capacity utilisation to a PC with a modem, so that the data can be used for further processing.

Parallel access LAN/WiFi



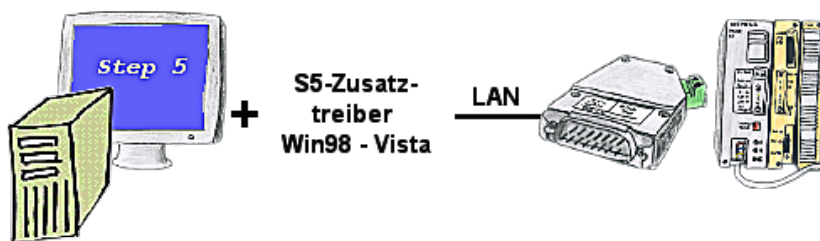
Access parallel via LAN and Wifi to the EtherSens-device. Therefore create via the web-server for each way an ip-address, regardless whether its the same subnet or not.

Remote maintenance / telecontrol of PLC-devices



Access to the connected PLC takes place by coupling via Analogue-, ISDN- (only with AB-adapter) and GSM-(only with external GSM-modem)-line.

Communication with Win98 – XP/Vista/7/8/10/11 via network to S5-PLC



You still have a PC with Win98 and a MS-DOS-based Step5-package and would like to go Online on your S5-PLC via LAN? No problem, the provided virtual Com-Port PLCVCom emulates a COM-port on your PC with which you go Online. Even your MS-DOS-based Step5-software on this WIN98-PC can use this virtual Com-Port. With a patchtool for the Siemens Step5-software, which is provided as well, nothing else stands in your way to communicate via LAN.