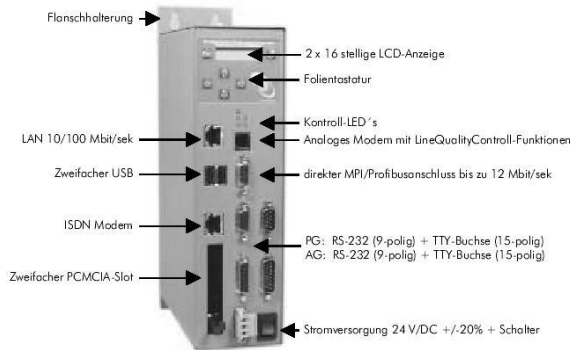


# Handling-Shortinstruction for

## TELE-Professional II V1.3

### Interface-picture:



### Connectors:

#### Lan:

This recognising 10/100Mbit/s connection is attached by means of a Patch cable (reciprocally RJ-45, 1to1, shielded) to the network socket or Hub. When connecting a PC directly at the Tele-Professional-II a Cross-Link-cable must be used.

#### USB:

To this USB-1.1 compatible connections Slaves, which are supported also of the Tele-Professional-II, can be attached. This support of the USB hardware must be co-ordinated with the supplier, so that it can be realised also over the integrated firmware.

#### ISDN:

Connection to a ISDN box by means of Standard ISDN cables. You can use also a Patchkabel, which is unshielded. Euro-ISDN protocol is supported.

#### PCMCIA:

After taking the sticker off PCMCIA-card of the type II can be put here. So for example, a serial PCMCIA-card to coupling to a handy.

### Analogue-Modem:

Connection to a similar telephone connection by a additional telephon cable. Only in principle the two middle contacts of the RJ-12-plug (4/6) are recommended. It is to be placed surely that also the Telefon lines (a and b) is presented there. There is not any bridges in the plug still the wall socket necessarily.

### MPI/DP:

This socket is occupied concerning the bus and mass like a plc. The Tele-Professional can be attached with a 9pin 1to1-cable male, male directly to the SPS or the professional bus. In addition, a profibus connector can be put at any time.

With this Connector, you can connect to a bus system with 9600 Baud up to 12Mbaud.

### PG-PLC-Port:

The connection to a plc can be realised over these sockets and plugs. Both sockets are as V.24 (9pins) as well as for TTY (15pins) laid out. It can be worked in each case either serial or over TTY. Both cables may not at the same time be put.

### Power-Supply:

The Tele-Professional expects an operating voltage of 24V DC with a tolerance of  $\pm 20\%$ . The power input amounts to 625mA. Over the switch the equipment without the Phoenix plug is plug off, can be switched on and off.

If your Tele-Professional-II stands like the picture, you got from top to bottom following pins:

+24V DC  
PE        **PE must be always connected!**  
0V

### First Configuration:

After that the Tele-Professional-II is attached to supply voltage, it will be switched on with the switch. The equipment begins with the memorytest. This can be jumped over with the ESC-key. Subsequently, the PROF-OS is loaded. Before the equipment announces itself with PLC-on-/off-lines as well as the modem status, still the IP address is indicated concerning the LAN 10/100Mbit. By pressures of the  $\leftarrow$ -key the main menu messages is concerned. By repeated pressing of the  $\downarrow$ -key you arrives at the entrance into the First Configuration. Between the individual entries and/or options you can change with  $\downarrow$  or  $\uparrow$ .

With ENTER the input is taken over.

Language:	German
	English
Device type:	PLC-S5-TELE        (standard S5)
	PG-TELE            (office-device)
	PLC-S5-KOR/MUX
	PLC-S7 300/400    (standard S7-300/400)
	PLC S7 200 9k6
	PLC-S7 200 19K2
	PLC-S5-F-TYPE
ISDN EAZ/MSN:	often the number of the branch or the connection, sometimes in addition, only one-digit. If necessary inquire the operator.
Ethernet-IP:	192.168.001.051
ISDN-IP:	172.016.000.001
Analog-IP:	172.016.000.002
Dialmode:	Tone
	Impulse
Extension:	Yes
	No
Outline Code:	0-9, !, ", #, /, >, #, X, W, *
Count of rings before lift:	0-5

It can call in each case a PG Tele a PLC-TELE. In addition the modem-specific IP addresses must always differ. It can always possess each PLC-TELE the same IP address, as long as it differs from that of the PG-TELE. This applies to ISDN IP and analog IP. Background is that, that the transmission between the devices are package oriented and is necessary thus this IP address. This is only valid with communication between two Tele-Professional-II devices.

The correct ISDN EAZ/MSN is necessary, so that the equipment can be addressed by the telephone system correctly. You receive the correct number from your plant responsible person.

If one operates the TP-II at the ISDN connection, but want to call with an analogue equipment, you have to change in the menu configuration = > modem = > "analogue with ISDN" to "Yes", only then is this communication possible.

More information or detailed instructions you will find in the equipment manual.

**Mechanical Data:**

Dimension: 68 x 278 x 165mm  
Case type: metal case, powder-coated  
Safety class: dust proof

More to the Tele-Professional-II as well as the current equipment manual can you download under

Under the web-address <https://www.process-informatik.de> are product specific documentations or software-driver/-tools available to download.

If you have questions or suggestions about the product, please don't hesitate to contact us.

Process-Informatik Entwicklungsgesellschaft mbH

Im Gewerbegebiet 1

DE-73116 Wäschenbeuren

+49 (0) 7172-92666-0

[info@process-informatik.de](mailto:info@process-informatik.de)

<https://www.process-informatik.de>

Copyright by PI 2006 - 2026

Menutree Website:

- + Products / docu / downloads
- + Hardware
- + Remote maintenance
- + S5
  - + Analogue-telephone
  - + TELE-PROFessional-II (TP-II)

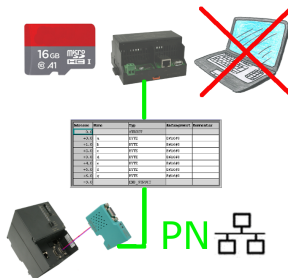


QR-Code Website:



Please make sure to update your drivers before using our products.

Data backup S7-PLC over MPI/Profibus on SD-card



S7-PLC triggered DB-backup/-restore without additional PC via MPI/Profibus on SD-card