

Operation Quick Start Guide V1.0 for

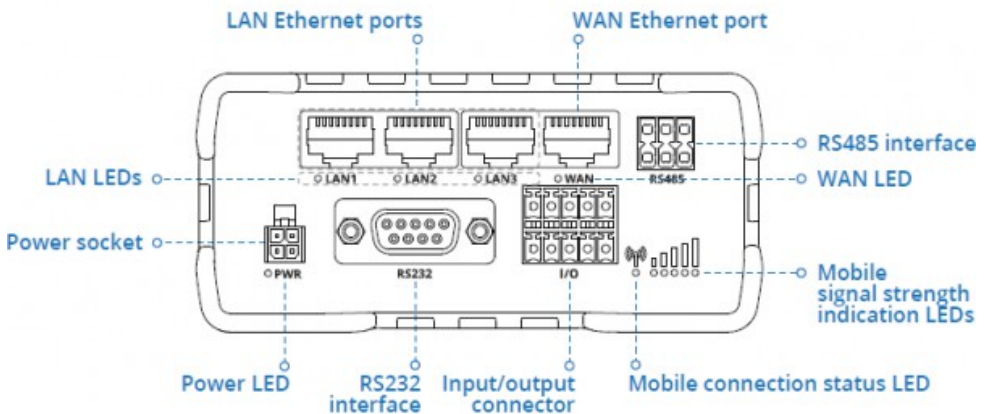
S5/S7-TimeServer - EUROPE S5/S7-TimeServer - WORLD



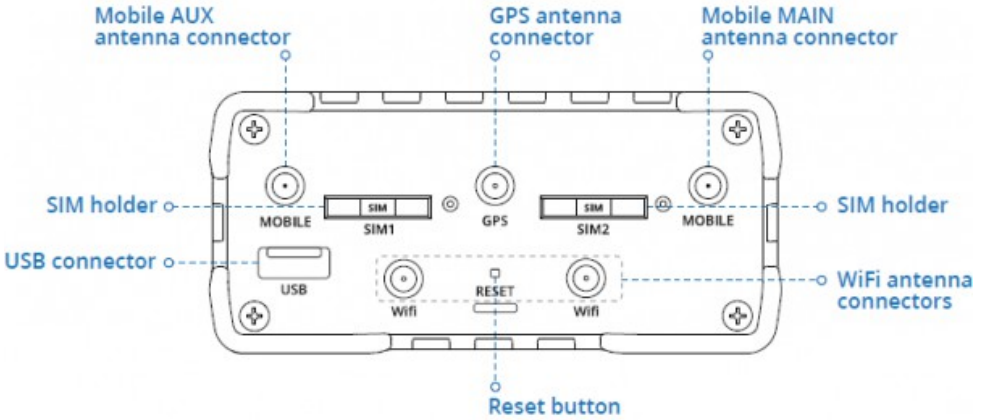
This page contains the **brief instructions** for the **S5/S7-TimeServer-devices**. Here you will find an overview of the various components on the front and back, basic hardware installation, initial login information, device specifications and general safety instructions. It is highly recommended that you familiarize yourself with the quick start guide before using the device. If you have a CONNECT-CONTROL-device, you will also find a printed version of the quick start guide in the device packaging or online on the device's product page. The only difference between the devices is the used built-in LTE modem. The Europe variant can only be used in Europe, the World variant anywhere in the world.

Connections:

Frontside:

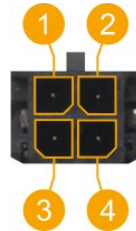


Backside:



Power connector:

No	Description	Wire-color
1	+9 – 30V DC	Red
2	0V	Black
3	E/A	Green
4	E/A	White

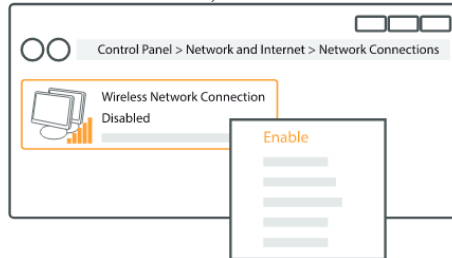


Hardware-installation

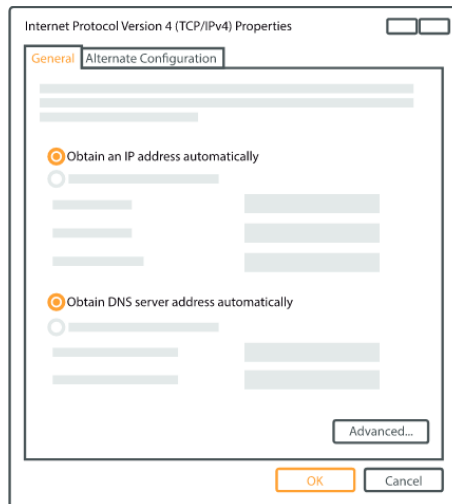
- 1.) Attach WiFi and GPS antennas (WLAN antenna only if access is to take place via WLAN)
- 2.) Connect the power adapter to the power socket located on the front panel of the device. Then plug the other end of the power adapter into a power outlet.
- 3.) Connect to the CONNECT-CONTROL-device wirelessly or use an Ethernet cable.
The associated WIFI SSID and password are located on the underside of the device.

Computer-configuration (Windows):

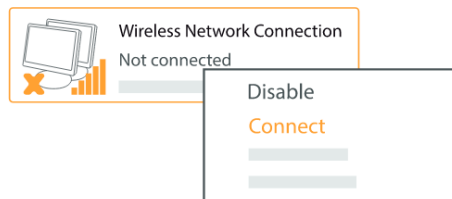
- 1.) Enable the wireless network connection (go to **Start** → **Control Panel** → **Network and Internet** → **Network and Sharing Center**. In the left panel click the **Change adapter settings** link. Right click on **Wireless Network Connection** and select **Enable**).



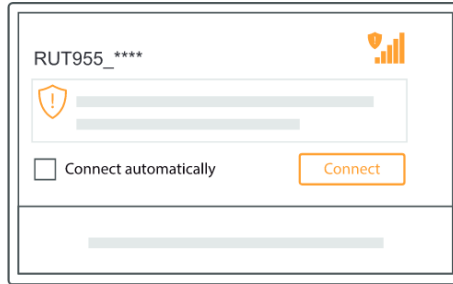
- 2.) Setup wireless network adapter on your computer (right click on **Wireless Network Connection** and select **Properties**. After that select **Internet Protocol Version 4 (TCP/IP)** and click **Properties**).
- 3.) Select **Obtain IP address** and **Obtain DNS server address automatically** if they are not selected. Click **OK**.



- 4.) Right click on **Wireless Network Connection** and select **Connect** to see available wireless networks.



- 5.) Choose the wireless network **RUT955_****** from the list and click **Connect**. Enter the WiFi password located on the device's label

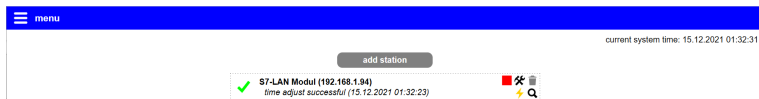



RUT955_****

Connect automatically Connect

Commissioning:

- Connect laptop to this WiFi network or LAN-cable in one of the 3 LAN-port and open with browser webserver with IP: <http://192.168.1.1>

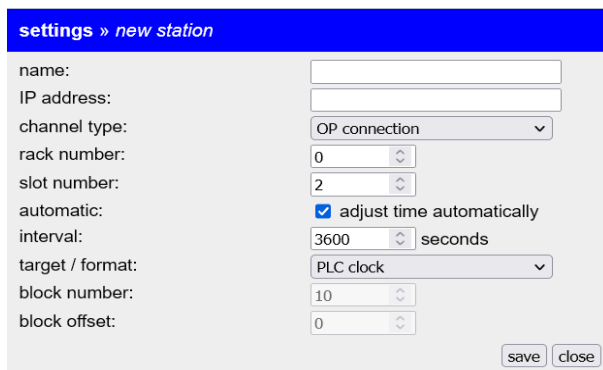


The navigation is done by clicking on the navigation-symbol ().

The WLAN parameters and the IP address of the S5 / S7 TimeServer can be adjusted in the configuration menu. The integrated NTP server for network devices can also be switched on and off.

Create a PLC station to set the time:

Click on the navigation symbol in the web interface and then on "Station". In the menu that is now open, you can see the stations that have already been created and you can add more by clicking on "Add station".



settings > new station

name:

IP address:

channel type: OP connection ▾

rack number: 0 ▾

slot number: 2 ▾

automatic: adjust time automatically

interval: 3600 ▾ seconds

target / format: PLC clock ▾

block number: 10 ▾

block offset: 0 ▾

save close

Parameter:

name:	Name of this connection
IP address:	IP address of S7-PLC (or S7-LAN-module or S5-LAN++)
channel-type:	OP-, PG-, or unspecific connection (depending on which connection is free in the HW-Config of an S7-PLC)
rack number:	Rack number of S7-PLC (usually 0)
slot number:	Slot number of CPU-assembly, usually slot 2 (for S7-400 with wide power-supply slot 3)
automatic:	If activated, the time is updated according to the interval-information in the PLC
interval:	Time-interval in which the time is automatically updated when automatic is selected
target / format:	PLC-clock: write the time directly to the PLC (only S7-300/400) DB S7 Date_and_Time: time in DB in Date_and_Time-format DB S7 LDT: S7-1500: time in DB in LDT-format DB S7 DTL: S7-1x00: time in DB in DTL-format DB binary: time in DB, binary Year: word Month: byte [1...12] Day: byte [1...31] Weekday: byte [0...6] Hour: byte [0...23] Minute: byte [0...59] Second: byte [0...59] Sommer time: byte [0...1] Updated: byte [0...1] DB ASCII: time in DB, ASCII Year: 4 Char Month: 2 Char Day: 2 Char Hour: 2 Char Minute: 2 Char Second: 2 Char Sommer time: Byte [0...1] Updated: Byte [0...1]
block number:	for DB-parameter number of data-block
block offset:	for DB-parameter offset of time-information

With „save“ the entry is accepted and the entry is completed , with „close“ without saving the window closed.

In the overview you can see the defined stations:

stopping of time-connection
configuration of connection
delete of connection
show diagnosis
set time manually

Stations with a light gray background are stopped, no time is updated here:

More about this product can be found in the download area on the product page.

Under the web-address <https://www.process-informatik.de> are product specific documentations or software-driver/-tools available to download.
If you have questions or suggestions about the product, please don't hesitate to contact us.

Process-Informatik Entwicklungsgesellschaft mbH

Im Gewerbegebiet 1

DE-73116 Wäschenbeuren

+49 (0) 7172-92666-0

info@process-informatik.de

<https://www.process-informatik.de>

Copyright by PI 2021 - 2026

Menutree Website:

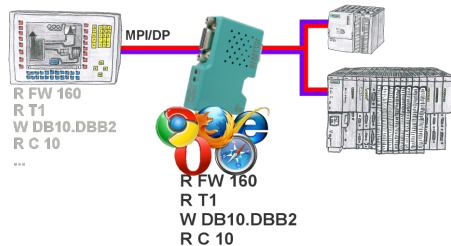
- + Products / docu / downloads
- + Hardware
- + Time
- + S5/S7-TimeServer

QR-Code Website:



Please make sure to update your drivers before using our products.

Analyzing of write-/read-accesses to the PLC

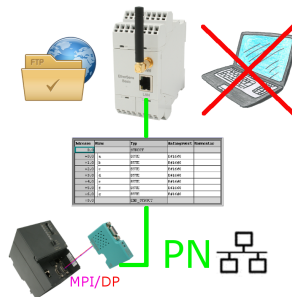


Panel of S7 SPS, no backup of the project or the projecting-data itself?

Put the MPI/DP-bus-communication-analyzer on the bus of the respective control, set the bus-address of the control via the web-interface and start the recording. After stop visible list in the web-interface of all read or written data-areas I/O/F/T/C/DW of the control.

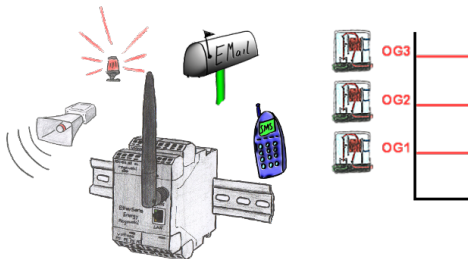
Filter functions for source-address as well as source- and target-SAP.

Data backup S7-PLC over MPI/Profibus on FTP-server



S7-PLC triggered DB-backup/-restore without additional PC via MPI/Profibus on FTP-server

Alarming



Dont log with EtherSens-device only the process-values, also monitor them simultaneously. Once a predetermined threshold is exceeded/not reached, the EtherSens-device indicates this.

Sensor-networking 4.0

Siemens S5
Read / Write
RS-Schnittstelle



Siemens S7
Read / Write
PPS / MPI / DP





EtherSens
Analog IN / OUT
Digital IN / OUT

Energieanalyse
(EN 60731-1 bis 60731-3)
"EtherSens Energy"
L1, L2, L3, W-Echtzeitanalyse
bis 8000 Messungen / Sek
Spannungen bis 500 VAC
Strome über 1000 A
Hz / cos phi / Leistungsfaktor
Wh / kWh / Schmelzleistung MW
Energieverbrauch kWh

Alle Messgrößen
U / I / C / O2 / H2O, m, kg, mm ...
diagnostische Analyse, Überwachen, Alarmieren
zentral protokollieren + beobachten

Vorhandene Sensoren direkt einbinden
analoge und digitale Ein-Ausgänge
aktiviert und Maskeure frei konfigurieren
Messgrößen einfach über WEB eingeben
Klick-Montage auf Standard-Hutschine
Stromversorgung 230VAC / 24VDC

Integrierbar Webserver
Zugriff auf alle Sensoren im Netz
Protokoll auf SD Karte + FTP-Server
in verschiedenen Datenformate
bei Green: E-Mail - Ausgabe über Netz